

Engine support device supplemental set

T40093C | T40093/3P | T40093/50 | T40093/51

en-gb Original Instructions
de Originalbetriebsanleitung
ar التعليمات الأساسية
bg Оригинално ръководство за експлоатация
cs Originální návod k použití
da Originale brugsanvisninger
el Πρωτότυπο οδηγιών χρήσης
en-us Original Instructions
es-es Instrucciones originales
es-mx Instrucciones originales
et Originaalkasutusjuhend
fa دستورات اصلی

fi Alkuperäiset ohjeet
fr-fr Instructions d'origine
he הוראות מקוריית
hr Izvorne upute
hu Eredeti útmutató
it Istruzioni originali
ja 元の手順
ko 원래 지침
lt Originali instrukcija
lv Instrukcijas oriģinālvalodā
mk Оригиналното упатство
nl Originele instructies
no Opprinnelige instruksjoner

pl Oryginalne instrukcje
pt-br Instruções originais
pt-pt Instruções originais
ro Instrucțiuni originale
ru Инструкции на языке оригинала
sk Pôvodný návod
sl Originalna navodila za uporabo
sr Originalna uputstva
sv Originalinstruktioner
tr Orijinal Talimatlar
uk Оригінальна інструкція
zh-cn 原始说明
zh-tw 原廠操作說明

Table of Contents – English (USA)

General Information	70
General Safety Instructions	73
Operating Instructions	74
Inspection and Maintenance	76
Declaration of Conformity	77

1 General Information

Product Name:	Engine support device supplemental set
Product Type:	Load holding device
Product Number:	T40093C
Weight:	In accordance with tables "Included in delivery" and "Accessories"
Max. Load Capacity:	See "Included in Delivery" table
Static Test Coefficient:	3.0

Intended use:

- ▶ The engine support supplemental set (hereafter referred to as supplemental set) supports various units located in the vehicle in accordance with the workshop manuals of the Volkswagen Group brands.
- ▶ The engine support device is used with components of other special tools.

Terms of use:

- ▶ For qualified workshop personnel only.
- ▶ Use the load holding device only for work approved by the Volkswagen Group.
- ▶ Only use for loads in accordance with the "Included in Delivery" table.
- ▶ The maximum load capacity of the individual accessories must not be exceeded.
- ▶ The engine support may only be used with the special tools specified in the workshop manuals of the Volkswagen Group brands.
- ▶ Do not hold or lift any persons or animals.
- ▶ Do not hold or lift articles other than those described in the workshop manuals of the Volkswagen Group brands.
- ▶ Do not stand under suspended loads.
- ▶ Use only with the approved accessories (see the workshop manuals of the Volkswagen Group brands).

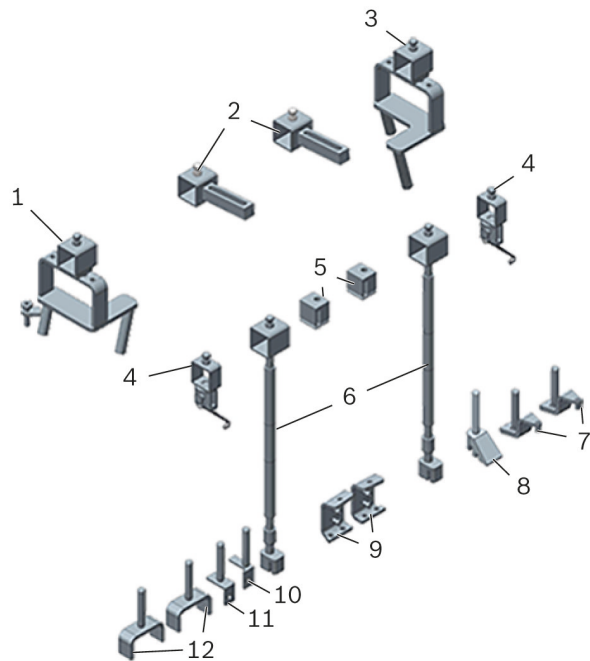


Figure 1: Engine support device supplemental set T40093C

- 1** Support T40093/2
- 2** Adapter T40093/6A (2 pieces)
- 3** Support T40093/1
- 4** Connector T40093/4 (or 4A) (2 pieces)
- 5** Adapter T40093/5A (2 pieces)
- 6** Support T40093/3 (2 pieces)
- 7** Adapter T40093/3-6A (2 pieces)
- 8** Adapter T40093/3-5
- 9** Holder T40093/7 + /8 (left-hand and right-hand version)
- 10** Adapter T40093/3-3 (right-hand)
- 11** Adapter T40093/3-2 (left-hand)
- 12** Adapter T40093/3-4 (2 pieces)

Included in Delivery

Product Number:	Name:	Weight:	Maximum Load Capacity:
T40093/1	Support (right-hand)	3.0 kg	459 kg/piece
T40093/2	Support (left-hand)	3.0 kg	459 kg/piece
T40093/3	Supports (2 pieces)	1.85 kg/piece	357 kg/piece
T40093/3-2	Adapter (left-hand)	0.28 kg	120 kg/piece (only with T40093/3)
T40093/3-3	Adapter (right-hand)	0.30 kg	120 kg/piece (only with T40093/3)
T40093/3-4	Adapter (2 pieces)	0.67 kg/piece	408 kg/piece (only with T40093/3)
T40093/3-5	Adapter	0.91 kg	357 kg/piece (only with T40093/3)
T40093/3-6A	Adapter (2 pieces)	0.47 kg	357 kg/piece (only with T40093/3)
T40093/4	Connector (2 pieces)	0.70 kg/piece	204 kg/piece
T40093/4A			
T40093/5A	Adapter (2 pieces)	0.65 kg/piece	612 kg/piece
T40093/6A	Adapter (2 pieces)	1.0 kg/piece	236 kg/piece
T40093/7	Holder (left-hand and right-hand version)	0.63 kg/piece	305 kg/piece
T40093/8			

Accessories

Product Number:	Name:	Weight:	Maximum Load Capacity:
T40093/3P	Support	1.0 kg/piece	450 kg/piece
T40093/50	Base side member	1.4 kg/piece	1000 kg/piece
T40093/51	Hinged base	2.5 kg/piece	300 kg/piece

1.1 Adapter T40093/3P, T40093/50 and T40093/51**T40093/3P**

Product Name:	Support
Product Type:	Load holding device
Product Number:	T40093/3P
Weight:	1.0 kg
Max. Load Capacity:	450 kg/piece
Static Test Coefficient:	3.0

Intended use:

- ▶ Support for the square tubes 10-222A/100 (10-222A-21) of the support bracket 10-222A or T40091/1 to support various Porsche AG units in the vehicle in workshops with qualified and authorized personnel.
- ▶ The adapter is used with components of other special tools.



Figure 2: Support T40093/3P

T40093/50

Product Name:	Base side member
Product Type:	Load holding device
Product Number:	T40093/50
Weight:	1.4 kg
Max. Load Capacity:	1000 kg/piece
Static Test Coefficient:	3.0

Intended use:

- ▶ Accessories for the support T40093/3P to support various Porsche AG units in the vehicle in the workshops with qualified and authorized specialists.
- ▶ The adapter is used with components of other special tools.



Figure 3: Base side member T40093/50

T40093/51

Product Name:	Hinged base
Product Type:	Load holding device
Product Number:	T40093/51
Weight:	2.5 kg
Max. Load Capacity:	300 kg/piece
Static Test Coefficient:	3.0

Intended use:

- ▶ Accessories for the support T40093/3P to support various Porsche AG units in the vehicle in the workshops with qualified and authorized specialists.
- ▶ The adapter is used with components of other special tools.

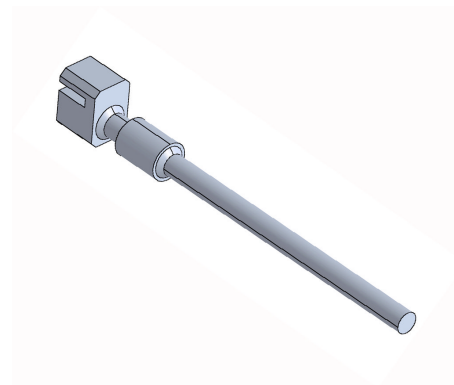


Figure 4: Hinged base T40093/51

2 General Safety Instructions

WARNING

Read and follow all safety notes and instructions!

Failure to follow the safety instructions could result in serious injuries and severe damage to materials.

Observe and follow the safety notes below.

- ▶ The load holding device has been specifically constructed for its intended use. The safety of the load holding device can no longer be ensured if it is misused or modified in ways not expressly approved by the manufacturer. Serious injuries or severe damage to materials could occur.
- ▶ Ensure that each person using the load holding device is familiar with these instructions and can access them at all times.
- ▶ Ensure that all users are also familiar with the instructions of the tools and workshop equipment that are necessary for the work.
- ▶ Carefully read and adhere to the instructions in the technical safety information of the Volkswagen Group brands.
- ▶ For use on gas-powered vehicles or high-voltage components only by qualified personnel.
- ▶ Observe and follow the basic information and safety notes for vehicles with gas drive in the corresponding Volkswagen Group information media when using on vehicles with gas drive.
- ▶ Observe and follow the basic information and safety notes for high-voltage vehicles in the corresponding Volkswagen Group information media when using on vehicles with high-voltage components.
- ▶ Wear safety shoes (in accordance with ISO 20345, S2).
- ▶ Wear protective gloves in order to avoid cuts.
- ▶ Position hands and feet so as to avoid potential crushing hazards.
- ▶ Use the load holding device only for work approved by the Volkswagen Group.
- ▶ Use the load holding device only with the accessories approved by the Volkswagen Group.
- ▶ Do not exceed the maximum load capacity in accordance with the Table 2 and Table 2 tables.
- ▶ Use the supplemental set only for work in accordance with the workshop manuals of the Volkswagen Group brands.
- ▶ Check all movable parts for function and ease of operation.
- ▶ Ensure that all required parts are securely connected.
- ▶ Use screws with the specified quality grade and size (see the workshop manuals of the Volkswagen Group brands).
- ▶ Tighten the screws with the specified torque (see the workshop manuals of the Volkswagen Group brands).
- ▶ Use only the original locking pins and secure them with the spring cotter.
- ▶ Check the spring cotters for functionality.
- ▶ The supports T40093/3 must be screwed securely with the square tube T40091/1.

3 Operating Instructions

1. When working on vehicles with high-voltage components, ensure that the high-voltage system is de-energized in accordance with the workshop manuals before working on the vehicle.

WARNING

Risk of electric shock

Vehicles with high-voltage components have a high-voltage source. High voltage can cause serious personal injury and severe damage to materials.

- ▶ Observe the hazard classification of the high-voltage system in the workshop manual.
- ▶ Observe and follow the notes and work instructions in the workshop manual.

2. Ensure that the supplemental set of the engine support is complete, and inspect it for visible damages such as signs of wear, deformation, breakages, cracks, and tears prior to each use. Inspect all threads for functionality. Visual inspection of the rubber coating. Inspect the spring cotter for functionality. Do not use the supplemental set when defects have been detected and discard it immediately.
3. Assemble the supplemental set with the necessary parts and components of the other special tools as described in the workshop manual.
4. Position the supplemental set on the vehicle as described in the workshop manual.
5. Use screws with the specified quality grade and size.
6. Tighten the screws with the specified torque.

WARNING

Danger of a swiveling or falling load!

Attaching the supplemental set incorrectly could cause the load to swivel or fall. This could result in serious injuries and severe damage to materials.

- ▶ Attach the supplemental set to the vehicle exactly as described in the workshop manuals.
- ▶ Use the adapter parts only with the screws with the specified quality grade and size and screw them in with the specified torque in accordance with the workshop manuals.
- ▶ Observe the position and the alignment of the counter bearings and the traverse.

7. Carry out further work as described in the workshop manuals.

CAUTION

Parts of the supplemental set could cause personal injury!

When the supplemental set is mounted to the vehicle, persons can bump into it and hurt themselves.

- ▶ Exercise particular caution when working on the vehicle.

8. Ensure that all parts of the special tool have been removed after completing the repair work.

3.1 Supports T40093/1 and T40093/2

When using the supports T40093/1 and T40093/2, ensure that the support piece is installed correctly (see Figure 5).

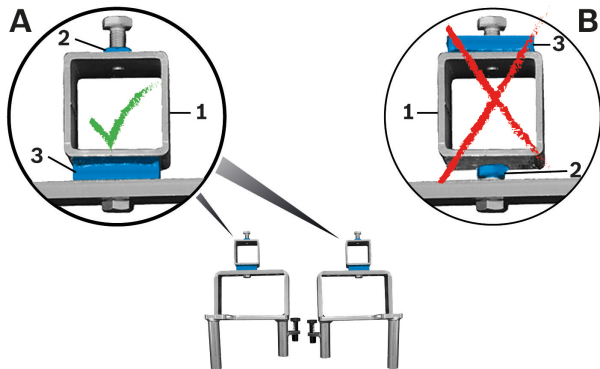


Figure 5: Support pieces on the supports T40093/1 and T40093/2

- A** Support piece installed correctly
- B** Support piece installed incorrectly
- 1** Support
- 2** Weld nut on the support piece
- 3** Spacer plate on the support piece

WARNING

Danger of a swiveling or falling load!

When the support piece is installed incorrectly, the stability of the supports T40093/1 and T40093/2 is not ensured. This could cause the load to swivel or fall, which could result in serious personal injuries and severe damages to materials.

- ▶ Ensure that the support piece is positioned correctly before using the supports.
- ▶ Should the receptacle not be in the correct position, modify it in accordance with Image **A** in Figure 5 and screw it securely.

3.2 Adapter T40093/5A

When using the adapter T40093/5A, note the defined installation position (see Figure 6). The adapter has a marking "TOP" on the top. This marking "TOP" must be on the top after assembly.

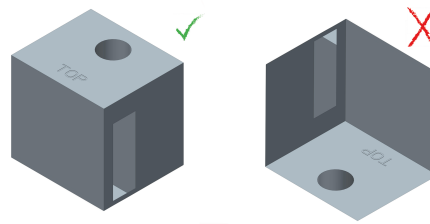


Figure 6: Correct installation position T40093/5A

WARNING

Danger of a swiveling or falling load!

If the adapter T40093/5A is installed incorrectly, the stability of the adapters is not ensured. This could cause the load to swivel or fall, which could result in serious personal injuries and severe damages to materials.

- ▶ Ensure that the marking "TOP" points upward.
- ▶ If necessary, observe the notes in the workshop manuals.

4 Inspection and Maintenance

- ▶ Ensure that the supplemental set is complete, and inspect it for visible damages such as signs of wear, deformation, breakages, cracks, and tears prior to each use. Inspect all threads for functionality. Visual inspection of the rubber coating. Inspect the spring cotter for functionality. Do not use the supplemental set when defects have been detected and discard it immediately.
- ▶ Replacement parts are available on request. Use only original replacement parts.
- ▶ Contact your first-level support representative with any queries.

NOTICE

Modifications to this product which have not been expressly approved by the manufacturer will void any warranty. The manufacturer assumes no liability for personal injury or damage to materials which occur as the result of improper use of this product.



Declaration of Conformity with the Machinery Directive 2006/42/EC, Annex II 1A

Manufacturer:	Bosch Automotive Service Solutions GmbH Am Dörrenhof 1 85131 Pollenfeld-Preith Germany
Authorized to compile the technical documents:	Bosch Automotive Service Solutions GmbH Am Dörrenhof 1 85131 Pollenfeld-Preith Germany
Product Name:	Engine support device supplemental set
Product Type:	Load holding device
Product numbers	T40093C T40093/3P T40093/50 T40093/51

We hereby declare that each product described above complies with the relevant clauses of the 2006/42/EC Machinery Directive.

Any modification to a product not expressly approved by the manufacturer will void the validity of this declaration.

The following harmonized standards have been applied:

EN ISO 12100:2010	Safety of machinery - General principles for design - Risk assessment and risk reduction
EN 13155:2003+A2:2009	Cranes - Safety - Non-fixed load lifting attachments

Pollenfeld, February 19, 2019
Place, Date

Matthias Wagner, Managing Director

Bosch Automotive Service Solutions GmbH

Am Dörrenhof 1

85131 Pollenfeld-Preith

Germany

www.bosch.com

2019-02-21