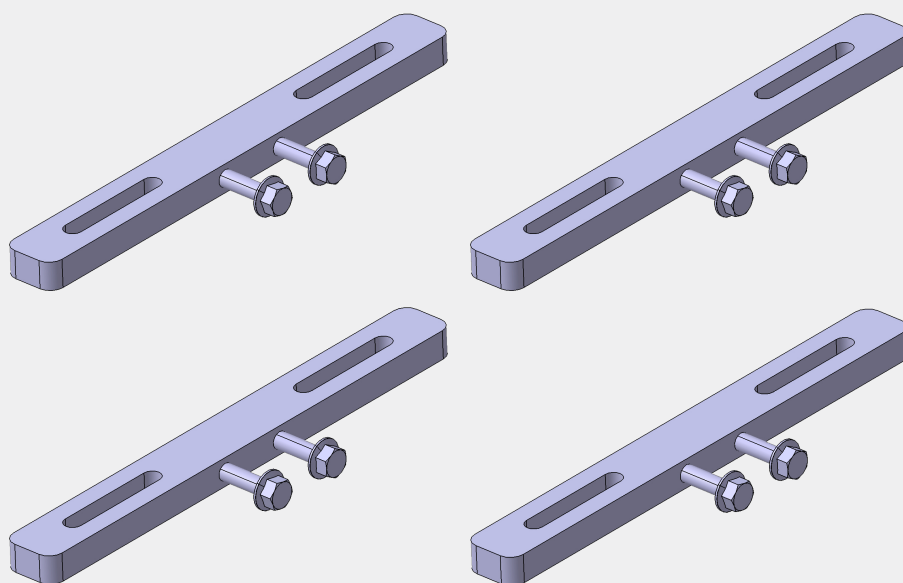


T40416/4 Adapters



en-gb Original Instructions
de Originalbetriebsanleitung
ar التعليمات الأساسية
bg Оригинално ръководство за експлоатация
cs Originální návod k použití
da Originale brugsanvisninger
el Πρωτότυπο οδηγίων χρήσης
en-us Original Instructions
es-es Instrucciones originales
es-mx Instrucciones originales
et Originaalkasutusjuhend
fa دستورالعمل اصلی

fi Alkuperäiset ohjeet
fr-fr Instructions d'origine
he הוראות מקוריות
hr Izvorne upute
hu Eredeti útmutató
it Istruzioni originali
ja 元の手順
ko 원래 지침
lt Originali instrukcija
lv Instrukcijas oriģinālvalodā
mk Оригинално упатство
nl Originele instructies
no Opprinnelige instruksjoner

pl Oryginalne instrukcje
pt-br Instruções originais
pt-pt Instruções originais
ro Instrucțiuni originale
ru Инструкции на языке оригинала
sk Pôvodný návod
sl Originalna navodila za uporabo
sr Originalna uputstva
sv Originalinstruktioner
tr Orijinal Talimatlar
uk Оригінальна інструкція
zh-cn 原始说明
zh-tw 原廠操作說明

Table of Contents – English (USA)

1 General Information	54
2 General Safety Information	56
3 Operating Instructions	57
4 Inspection and Maintenance	58
Declaration of Conformity	59

1 General Information

Product Name:	Adapter
Product Type:	Load holding device
Product Number:	T40416/4
Weight:	2.1 kg per piece
Max. Load Capacity:	400 kg per piece in accordance with the table "Maximum load capacity per lifting method"
Static Test Coefficient:	3.0

Intended use:

- ▶ The adapters are used with the T40416 suspension devices to lift defined vehicles parts in cases where a greater distance to the suspension device as specified in the workshop manuals of the Volkswagen Group brands.

Terms of use:

- ▶ For qualified workshop personnel only.
- ▶ Use only for work approved by the Volkswagen Group.
- ▶ For use on high-voltage components only by qualified personnel.
- ▶ Use only for loads up to 400 kg per adapter.
- ▶ Observe the maximum load capacities in the table "Maximum load capacity per lifting method".
- ▶ Use only with a suitable hoist with a sufficient load capacity and that has been approved by the Volkswagen Group.
- ▶ Use only with the suspension devices T40416.
- ▶ Use only with suitable chains, ropes, belts, or straps that have been approved by the Volkswagen Group and that have a sufficient load capacity.
- ▶ Use only for vehicle parts that have been approved by the Volkswagen Group and that have suitable attachment points.
- ▶ Do not hold or lift any persons or animals.
- ▶ Do not hold or lift items other than those described in the workshop manuals of the Volkswagen Group brands.
- ▶ Do not stand under suspended loads.
- ▶ Use only on level, even and stable ground

- ▶ Use only with the approved accessories (see the workshop manuals of the Volkswagen Group brands).
- ▶ Do not work on suspended loads.
- ▶ Use only at ambient air temperatures between -10 °C and +80 °C.

Included in Delivery

Product Name:	Quantity:
Adapter	4 pieces

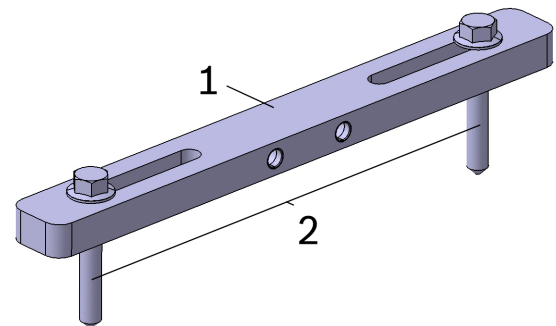


Figure 1: Adapter T40416/4

- 1 Adapter
- 2 Hexagon head screw DIN 933 M12 x 80 10.9 with flange (2 pieces per adapter)

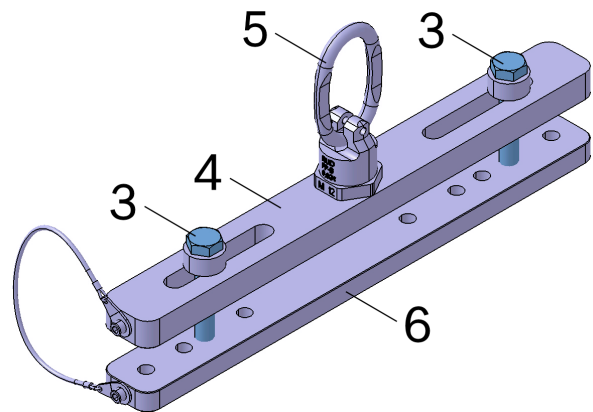
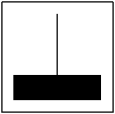
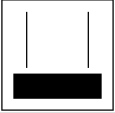
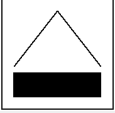
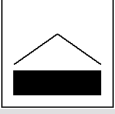




Figure 2: Suspension Device T40416

- 3 Hexagon head screw DIN 933 M12 x 80 10.9 glued to a washer Ø 25 x 12 (2 pieces per suspension device)
- 4 T40416/1: Top Bar
- 5 Swivel lifting hook
- 6 T40416/2: Bottom Bar

Maximum load capacity per lifting method¹

	Number of Strands:	Angle of Strands:	Max. Load Capacity:
	1	0°	400 kg
	2	0°	800 kg
	2	> 0° to 45°	700 kg
	2	> 45° to 60°	500 kg
	3 or 4	> 0° to 45°	1000 kg
	3 or 4	> 45° to 60°	700 kg

1) This table applies only with suspension device T40416. Use the adapter T40416/4 only with the suspension device T40416.

2 General Safety Information

WARNING

Read and follow all safety notes and instructions!

Failure to follow the safety instructions could result in serious injuries and severe damage to materials.

Observe and follow the safety notes below.

- ▶ The load holding device has been specifically constructed for its intended use. The safety of the load holding device can no longer be ensured if it is misused or modified in ways not expressly approved by the manufacturer. Serious personal injuries or severe damage to materials could occur.
- ▶ Ensure that each person using the load holding device is familiar with these instructions and can access them at all times.
- ▶ Ensure that all users are also familiar with the instructions of the additional tools and workshop equipment that are necessary for the work.
- ▶ Carefully read and adhere to the instructions in the technical safety information of the Volkswagen Group brands.
- ▶ Observe and follow the basic information and safety notes for high-voltage vehicles in the corresponding Volkswagen Group information media when using on vehicles with high-voltage components.
- ▶ Use only with sufficient light and good visibility.
- ▶ Wear safety shoes that meet the ISO 20345, S2 standard.
- ▶ Wear protective gloves in order to avoid cuts.
- ▶ Position hands and feet so as to avoid potential crushing hazards.
- ▶ Use the load holding device only for work approved by the Volkswagen Group.
- ▶ Use the load holding device only with the accessories approved by the Volkswagen Group.
- ▶ Do not exceed the maximum load capacity of 400 kg per adapter.
- ▶ Observe the maximum load capacities in the table "Maximum load capacity per lifting method".
- ▶ Observe the tilt angles listed in the table "Maximum load capacity per lifting method".
- ▶ Use only the screws included in delivery or replacement screws the same size and quality grade.
- ▶ Tighten the screws with the specified torque (see the workshop manuals of the Volkswagen Group brands).
- ▶ Use the adapters only with suitable lifting equipment and approved chains, ropes, belts, or straps in accordance with the workshop manuals of the Volkswagen Group brands.
- ▶ When using with hoist, ensure that the path is clear and easily visible.
- ▶ Move the load slowly and carefully.
- ▶ Observe the adapter and the load during all movements.
- ▶ Persons may not be under the load or in the hazard area while the load is being moved.
- ▶ Do not work on suspended loads.

3 Operating Instructions

WARNING

Risk of electric shock

The HV battery is a high-voltage storage capacitor (HVSM). High voltage can cause serious personal injury or material damage.

- ▶ Observe and follow the hazard classification of the high-voltage system in the workshop manuals.
- ▶ Observe and follow the notes and work instructions in the workshop manuals.

1. Ensure that the adapters and suspension devices are complete and inspect them for visible damages such as signs of wear, deformation, breaks, cracks, and corrosion before each use. Do not use the adapters and suspension devices if damaged or in poor condition, but discard them immediately.
2. Perform the necessary preparatory work to use the adapters and suspension devices in accordance with the workshop manuals of the Volkswagen Group brands.
3. To find out how many adapters and suspension devices are required for the relevant vehicle part, refer to the workshop manuals of the Volkswagen Group brands (see also Figure 2).
4. Remove the hexagon head screws (2) from the adapters (1) and the hexagon head screws (3) from the top bar (4) and put them aside.
5. Position the adapter (1), the top bar (4), and bottom bar (6) on the vehicle part in accordance with the workshop manuals of the Volkswagen Group brands.

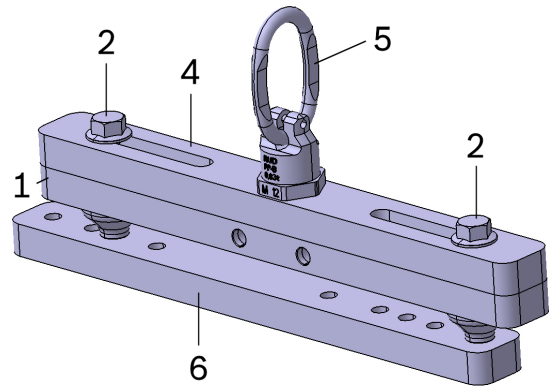


Figure 3: Suspension device with adapter

- 1** Adapter
 - 2** Hexagon head screw DIN 933 M12 x 80 10.9 with flange (2 pieces each per adapter)
 - 4** T40416/1: Top Bar
 - 5** Swivel lifting hook
 - 6** T40416/2: Bottom Bar
6. Align the slotted holes in the top bar (4) and in the adapters (1) with the attachment holes in the vehicle part and the threaded holes in the bottom bar (6).
 7. Push the hexagon head screws (2) through the suspension devices and the adapters and screw them into the bottom bar (6) with the torque specified in the workshop manuals of the Volkswagen Group brands.

8. Attach a chain, rope, belt, or strap to each suspension device. Attach the suspension devices to suitable lifting equipment (see the table "Maximum load capacity per lifting method" and the workshop manuals of the Volkswagen Group brands).

WARNING

Risk of a falling load!

Attaching the suspension device incorrectly could cause the load to tip or fall. This could result in serious personal injury and severe damage to materials.

- ▶ Attach the suspension device to the lifting equipment and vehicle part exactly as described in the workshop manuals.
- ▶ Observe the maximum load capacities and angle of the chain, rope, belt, or strap in the table "Maximum load capacity per lifting method".
- ▶ Ensure that the suspension device is securely fastened before lifting the load.

9. Carefully lift the vehicle part. Ensure that the load is secure when setting it down.
10. Perform further work as described in the workshop manuals.
11. Ensure that all parts of the special tool have been removed after completing the repair work.

4 Inspection and Maintenance

Ensure that the adapter and suspension devices are complete and inspect them for visible damages such as signs of wear, deformation, breaks, cracks, and corrosion before each use. Do not use the adapters and suspension devices if damaged or in poor condition, but discard them immediately.

Inspect the adapters and suspension devices in accordance with all applicable national regulations.

- ▶ Inspect the adapters and suspension devices at least once a year.
- ▶ Document the inspections in accordance with all applicable regulations and keep the documentation in a safe place.

Contact your first-level support representative with any queries.

NOTICE

Modifications to this product which have not been expressly approved by the manufacturer will void any warranty. The manufacturer assumes no liability for personal injury or damage to materials which occur as the result of improper use of this product.



Declaration of Conformity with the Machinery Directive 2006/42/EC, Annex II 1A

Manufacturer:	Bosch Automotive Service Solutions GmbH Am Dörrenhof 1 85131 Pollenfeld-Preith Germany
Authorized to compile the technical documents:	Bosch Automotive Service Solutions GmbH Am Dörrenhof 1 85131 Pollenfeld-Preith Germany
Product Name:	Adapter
Product Type:	Load holding device
Product Number:	T40416/4

We hereby declare that the product described above complies with the relevant clauses of the 2006/42/EC Machinery Directive.

Any modification to the product not expressly approved by the manufacturer will void the validity of this declaration.

The following harmonized standards have been applied:

EN ISO 12100:2010	Safety of machinery - General principles for design - Risk assessment and risk reduction
EN 13155:2003+A2:2009	Cranes - Safety - Non-fixed load lifting attachments

Pollenfeld, November 13, 2020

Place, Date

Carsten Henkel, Managing Director

Bosch Automotive Service Solutions GmbH

Am Dörrenhof 1
85131 Pollenfeld-Preith
Germany
www.bosch.com

2020-11-13