

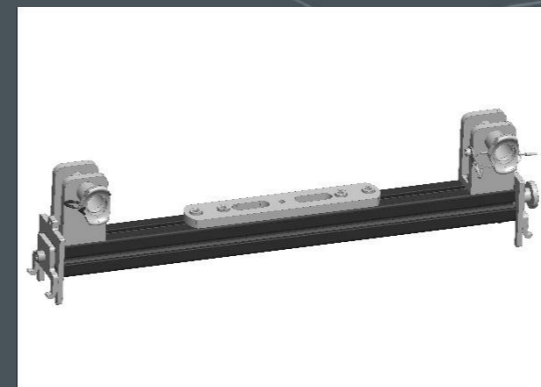
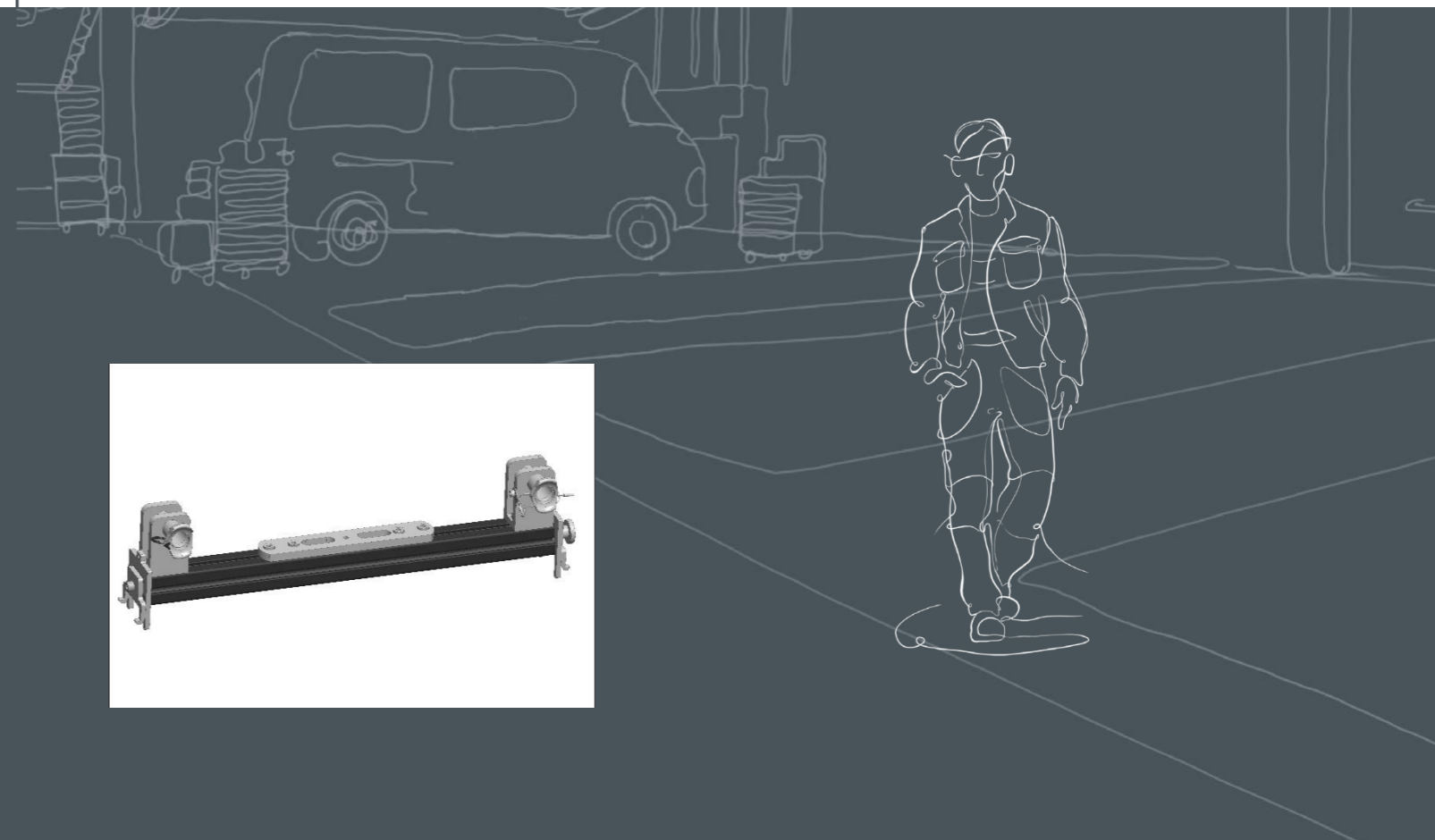
Volkswagen Aktiengesellschaft
K-GVO-LW
Konzern After Sales – Group Service,
Literatur und Systeme
Werkstattausrüstung
Brieffach 011/4915
38442 Wolfsburg

For internal use only
Subject to technical modifications
Status 09/2023

Volkswagen Aktiengesellschaft
K-GVO-LW
Group After Sales – Group Service,
Literature and Systems
Workshop Equipment
Letter Box 011/4915
38442 Wolfsburg

For internal use only
Technical modifications possible
Status 09/2023

VOLKSWAGEN
AKTIENGESELLSCHAFT



Original Operating Instructions


Module gripper - T40424/6



Content

Explanation Of the Symbols	1
General Data	2
General Safety Instructions	3
Operation	4
Inspection And Maintenance Instructions	5
Declaration of Conformity	6

Explanation Of the Symbols

 Warning	Identifies a moderately hazardous situation that, if not avoided, could result in death or serious injury.
Notice	Indicates tips for use and other useful information
CAUTION	Signifies a potential hazard with a low level of risk, which, if not avoided, could lead to minor or moderate harm or damage to the product or its environment.
DANGER	Indicates a significant risk that, if not mitigated, could potentially lead to fatal injuries or severe harm.

General Data

Product Name:	Module gripper
Product type:	Load handling attachment
Product number:	T40424/6
Dead weight:	1.5 kg
Max. load capacity:	50 kg
Coefficient for static test:	3.0

Intended use:

The T40424/6 modular grab is a load handling tool used to dismantle and lift loads specified in the Volkswagen AG brand repair guidelines.

The high-voltage battery module must be extracted from the battery tray using the T40424 module remover supplied specifically for this task.

The centre of gravity of the load should be lifted as centrally as possible.

Conditions of use:

- For qualified workshop personnel only.
- Use only for work approved by the Volkswagen Group.
- Only to be used on vehicles with high voltage components by suitably qualified personnel.
- Adherence to the manufacturer's operational, servicing, and maintenance requirements and repair guidelines is essential for correct usage.
- Do not pick up or lift people or animals.
- Use only for loads up to 50kg.
- Do not lift or move any items apart from those specified in the repair manuals for Volkswagen Group brands.
- Only use in conjunction with a T40424 module detacher approved by Volkswagen.

- Do not stay under suspended loads.
- When utilizing the workshop crane, solely operate on level, horizontal, and weight-bearing terrain.
- If the operator makes unauthorized modifications to the components, the manufacturer's liability will become invalid.
- Use and store only in enclosed and covered workshops.
- Use only at ambient temperatures from -20 °C to +80 °C.

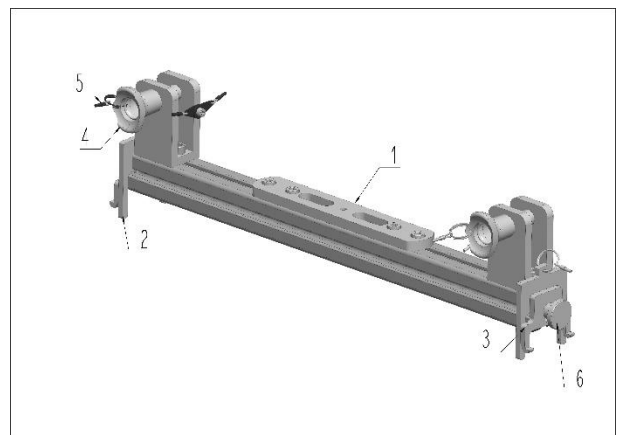


Figure 1- T40424/6 Module gripper

1. Gripper
2. Hook front
3. Hook back
4. Ball lock pin (2x)
5. Retaining rope (2x)
6. Knurled screw

General Safety Instructions



Warning

Read and observe all safety warnings and instructions.

Failure to adhere to the safety information and instructions may result in significant harm to individuals and property.

Observe and follow the safety instructions below.

- Safe operation cannot be guaranteed if the load handling attachment is not used as intended. The operator bears sole responsibility for any personal injury or damage to property resulting from incorrect usage.
- Ensure all users are familiar with the instructions for any additional tools necessary for the task.
- Carefully read and adhere to the technical safety information provided by Volkswagen Group brands to ensure safety.
- When operating vehicles with high-voltage components, it is essential to adhere to the basic information and safety instructions for high-voltage vehicles in the relevant information media of the Volkswagen Group brands.
- Ensure that the area of use is adequately lit.
- Observing the national accident prevention regulations (UVV).
- Use of suitable personal protective equipment is necessary, including cloth gloves, safety goggles, and shoes with protection against electrostatic discharge.
- Position hands and feet carefully to avoid the risk of crushing.
- Use the load handling attachment for work approved by the Volkswagen Group only.
- Always use the lifting device with accessories approved by the Volkswagen Group.
- Do not exceed the maximum load capacity of 50 kg.
- Only use the screws provided or screws of equivalent size and grade.
- Tighten screw connections to the prescribed torque (see the repair guides of the Volkswagen Group brands).
- The modular gripper may only be used alone or in conjunction with the T40424 and a suitable workshop crane, e.g., VAS 6100, and the sling swivel VAS 691 013 in accordance with the Volkswagen Group brands' repair guidelines.
- Ensure that the workshop crane and sling swivel are in good condition before each use.
- Ensure the travel path is clear and easily visible when operating the workshop crane.
- Move the load slowly and steadily, avoiding sudden movements or jerking.
- Observe the module detacher and the load during all movements.
- Persons are not permitted to be present under or in the danger zone during movement processes.
- Do not work on suspended loads.
- Report any damage or defects promptly to a responsible party.
- Ensure that the sling is firmly attached to the load hook and resting securely within the hook base.
- Stop lowering the load if the lower block or the load comes into contact with the ground or is hindered from descending any further.
- No twisting of the load chain
- Alignment of twisted chains before hooking the load. (The correct course of the chain links can be seen from the weld).
- Chain links must always be aligned in one direction.
- Prevent impact with load or hook at all costs

Operation



Risk Of Electric Shock

The HV battery serves as a high-voltage storage medium. High voltages can result in severe harm to individuals or damage to property.

- Observe and adhere to the hazard classification of the high-voltage system as outlined in the repair manual.
 - Observe and comply with the guidelines and working instructions provided in the repair manual.
 - Only For Appropriately Qualified Personnel
1. Before any use, inspect the entire module loosener and supplementary kit for completeness and visible harm, including indications of wear, deformation, fractures, cracks, and corrosion damage. If any defects are detected, do not utilize the solvent module under any circumstances, and dispose of it immediately.
 2. Perform the necessary preparatory work for the use of the module dissolver in accordance with the Volkswagen Group brand repair guidelines.
 3. Execute the step in the 'Attaching the module gripper to the battery module' section.

Insert stop swivel -B- (VAS 691 013) and tighten it to 10Nm.

Attach the gripper module -C- to the battery module -1-.

Hand-tighten knurled screw -E-.

Insert fuses -A- and -D-.

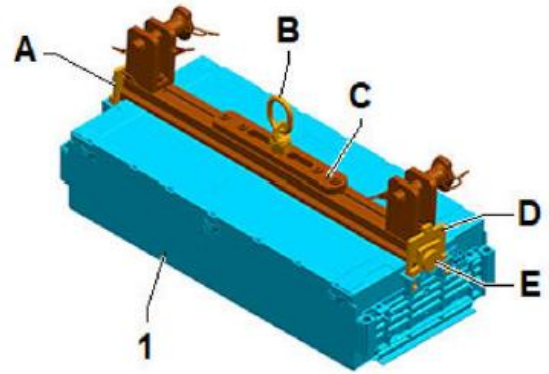


Figure 2- T40424/6 Fastening The Module Gripper To The Battery Module

4. Carry out the work step in the section 'Attaching the support bridge from the T40424 module solver to the T40424/6'.

To complete this task, attach support bridge -A- from the T40424 module detacher to module gripper C.

Slowly disengage battery module 1 from the thermal paste on one side using the spindle of support bridge A, applying a maximum torque of 5 Nm.

Repeat the process on the other side of the module.

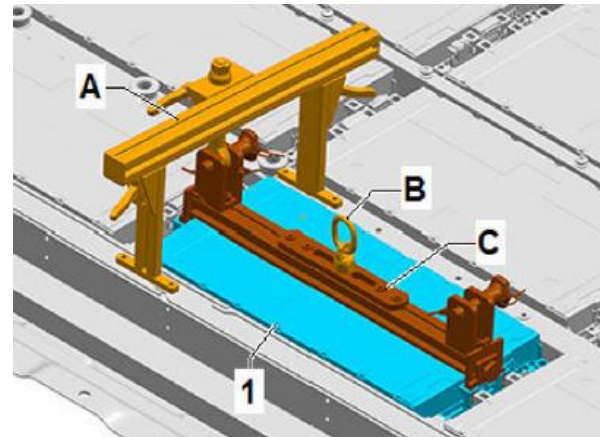


Figure 3- Fastening The T40424 Heel Bridge To The T40424/6 Module Gripper

5. Perform the step outlined in the 'Removing the battery module' section'.

To accomplish this, disassemble the support bridge.

Attach the battery module to the stop swivel -B- and remove it with the workshop crane (VAS6100).

Inspection And Maintenance Instructions

Regular maintenance can greatly increase the lifespan of the load handling attachment. The attachment for handling loads must be cleaned if it is dirty. All components should be thoroughly cleansed to ensure they are free of oil, dirt, and corrosion. Any cleaning method that does not harm the underlying material is acceptable. Avoid processes that may lead to hydrogen embrittlement, overheating, material erosion, or deformation, or those that may conceal cracks or other surface damage.

Check the entire module detacher and gripper for completeness and visible damage, including signs of wear, deformation, fractures, cracks, and corrosion damage, before every use. If any defects are detected, do not utilize the solvent module under any circumstances, and dispose of it immediately.

Notice

Any unauthorized modification to the product agreed upon by the manufacturer will render any warranty claims invalid. The manufacturer bears no responsibility for harm caused to individuals or objects from inappropriate use of the product.

Declaration of Conformity


Declaration of conformity in the sense of the Machinery Directive 2006/42/EC, Annex II 1A

Manufacturer:	PILZ GmbH Grenzstraße 60/62 03238 Finsterwalde Germany
Authorized representative for the compilation of technical documentation:	PILZ GmbH Grenzstraße 60/62 03238 Finsterwalde Germany
Product Name:	Module gripper
Product type:	Load handling attachment
Product number:	T40424/6

The following harmonized standards have been applied:

EN ISO 11148-4	Hand-held non-electric machines
EN ISO 12100:2010	Safety of machinery - General principles for design - Risk assessment and mitigation
EN 13155:2003+A2:2009	Cranes - Safety - Loose load handling attachments

 Declaration of Conformity

 Declaration of Conformity

 Declaration of Conformity

Brand:
Type: Module gripper T40424/6
Performance:

Brand:
Type: Module gripper T40424/6
Performance:

Brand:
Type: Module gripper T40424/6
Performance:

We, Pilz GmbH, declare that this product complies with Directive 2006/42/EC and standard EN ISO 11148-4. In the event of a change to the product not agreed with us, this declaration shall lose its validity.

We, Pilz GmbH, declare that this product complies with the Supply of Machinery (Safety) Regulations 2008. Technical documentation is available from Pilz GmbH. In the event of a product change not agreed with us this declaration loses its validity.

We, Pilz GmbH, declare that this product complies with the standard Regulation on Safety of Machines, Resolution No. 62. Technical documentation is available from Pilz GmbH. In the event of a product change not agreed with us, this declaration shall lose its validity.

Pilz GmbH
Grenzstraße 60/62, 03238 Finsterwalde,
Deutschland

PILZ GmbH
Grenzstraße 60/62, 03238 Finsterwalde,
Germany

PILZ GmbH
Grenzstraße 60/62, 03238 Finsterwalde,
Germany

Date: 10.10.2023

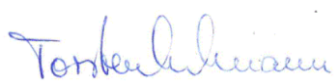
Date: 10.10.2023

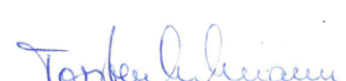
Date: 10.10.2023

Signature:

Signature:

Signature:





Torsten Lehmann
CEO Pilz GmbH

Torsten Lehmann
CEO Pilz GmbH

Torsten Lehmann
CEO Pilz GmbH