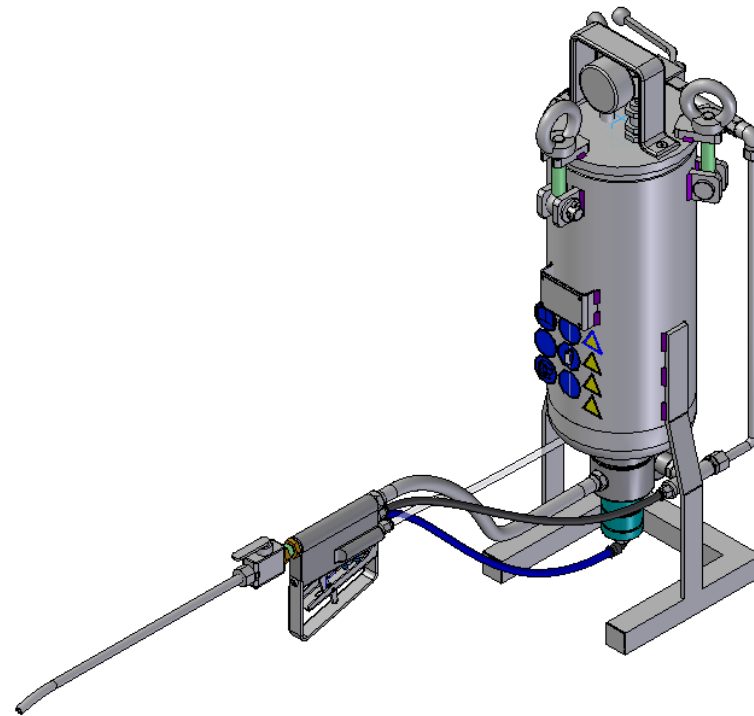


Service instruction

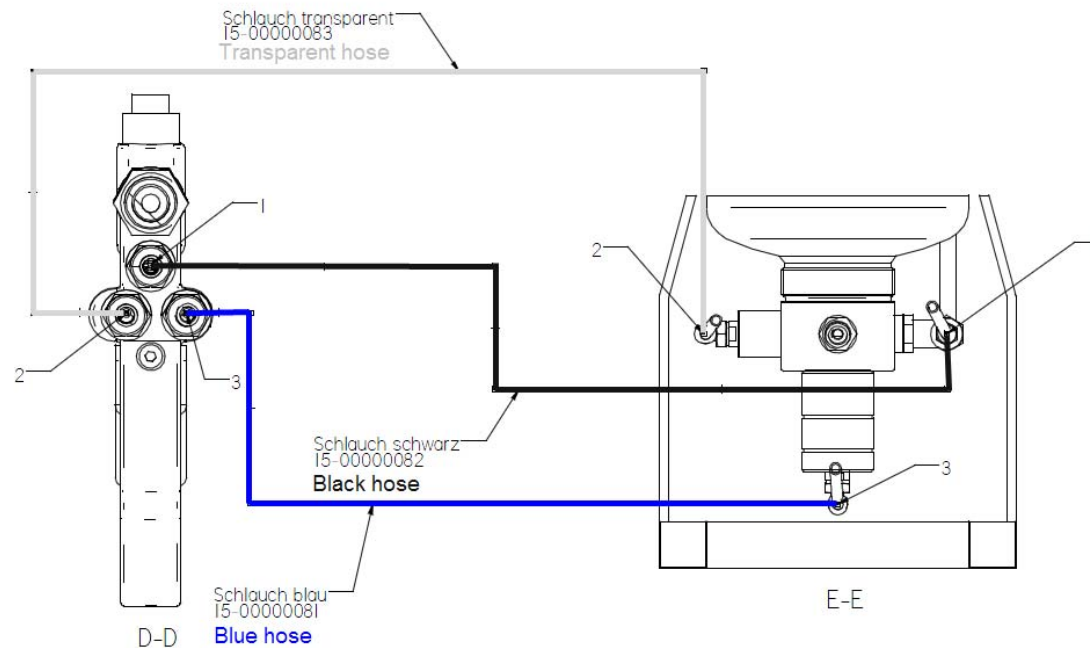
Granule jet blasting device PG 5-8



V1.A.K

Please, check carefully the correct installation of the hoses as shown in the picture.

step 1



- | | |
|--------------------|--------------------------------|
| 1 = Hauptluft | 1 = Air supply line |
| 2 = Steuerluft | 2 = Pilot hose air valve |
| 3 = Granulatzufuhr | 3 = Pilot hose granulate valve |

**Disconnect the blue and the transparent hose from the ports of the two valves at the bottom of the blaster as shown in figure 1 .
Connect air supply line to the blaster and pressurize the system.**

step 2

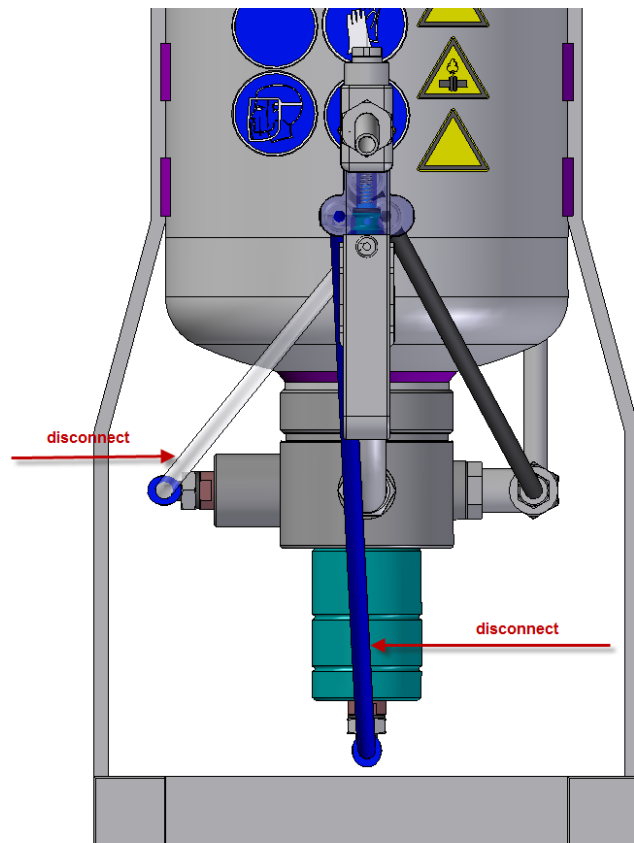


fig. 1

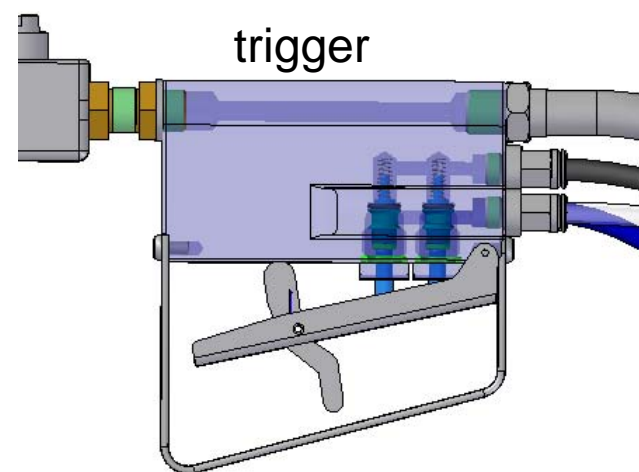
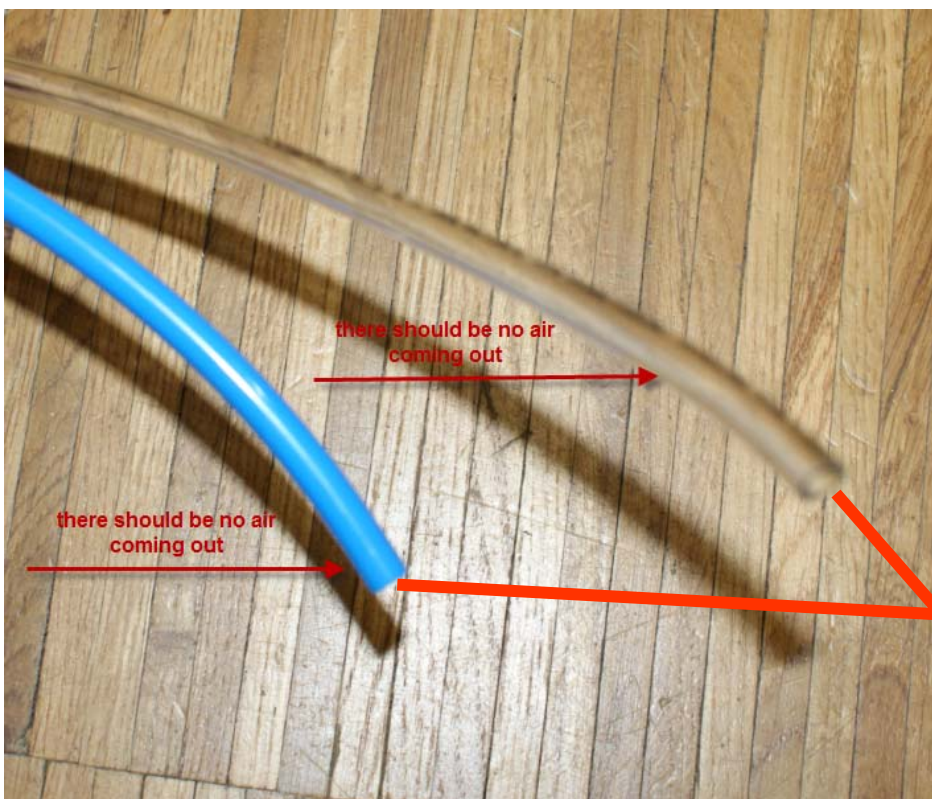


fig. 2

Slowly turn 3-way ball valve to the working position

Check whether air is coming out from the blue or the transparent hose??
There should be no air coming out from the two hoses.

step 3

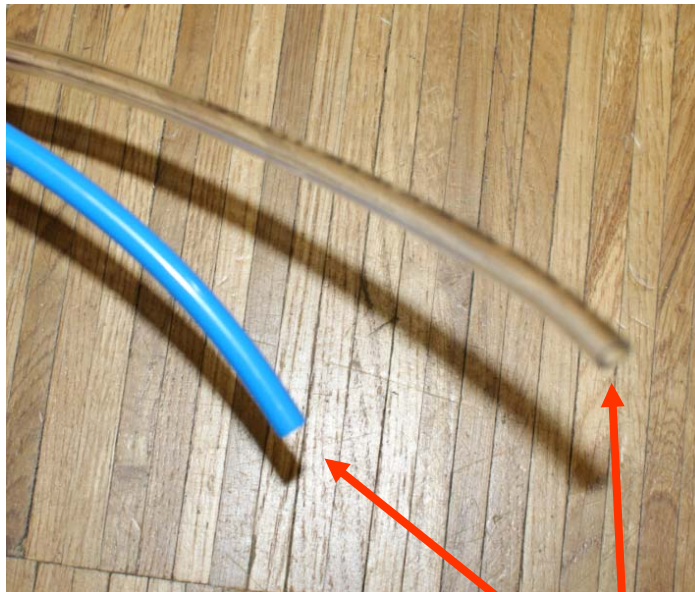


If air is coming out from one of these pilot hoses, the trigger valve has a malfunction

**Push the trigger to the first position (half way).
Air should come out from the transparent line. (4.7.1)**

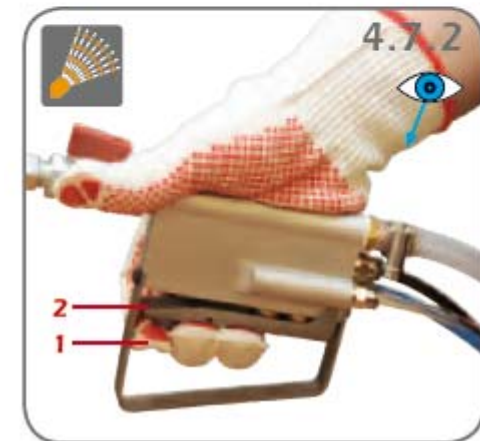
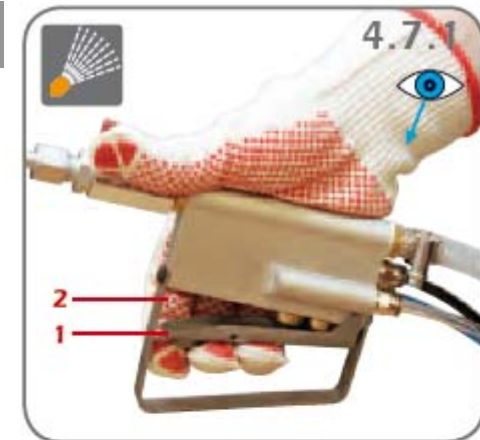
**Push the trigger to the second position (end position)
Air should come out from both hoses. (4.7.2)**

step 4

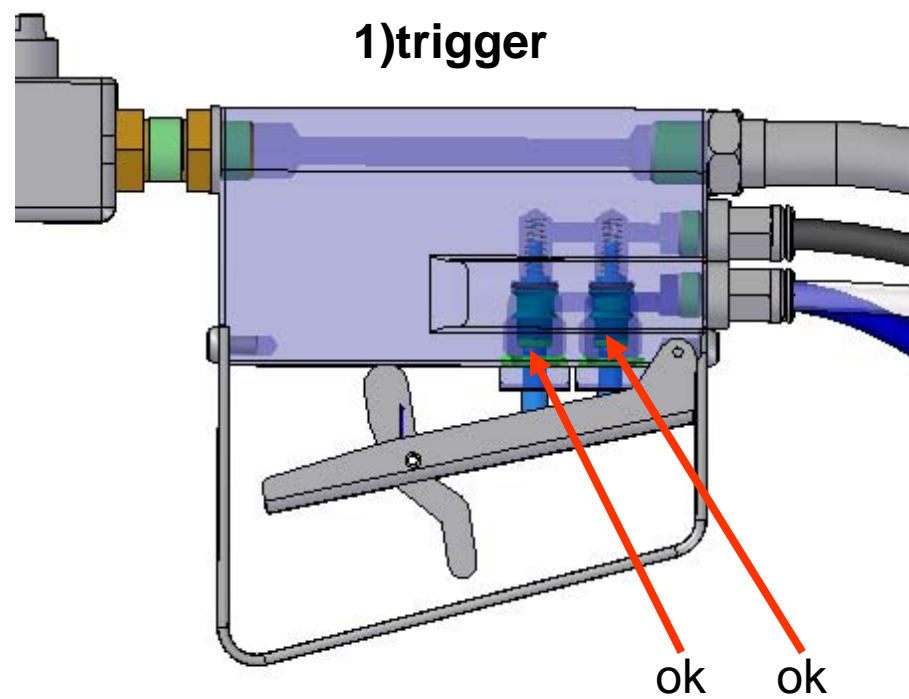


1.) half way: air come out only from the transparent hose

2.) end position: air come out from the both hoses



If all functions of the handle and its valves are ok,
please follow the next instructions



Connect both hoses.

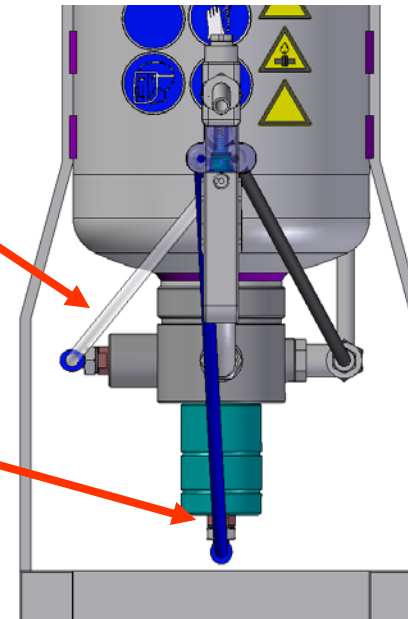
step 5



Disconnect the air supply line from the unit

1. Put the transparent hose to the air valve back again

2. Put the blue hose to the granulate valve back again



Remove all granules from the container.

step 6



1.) Remove lid of container



2.)

Fig. 4.9.1

After each working procedure the 3-way ball valve must be moved to the „Relieve“ position.

Fig. 4.9.2

The compressed air supply line can be disconnected if no pressure is being indicated on the pressure gauge.

Fig. 4.9.3

Remove cover of blasting device and remove remainder of granules.

View into the container

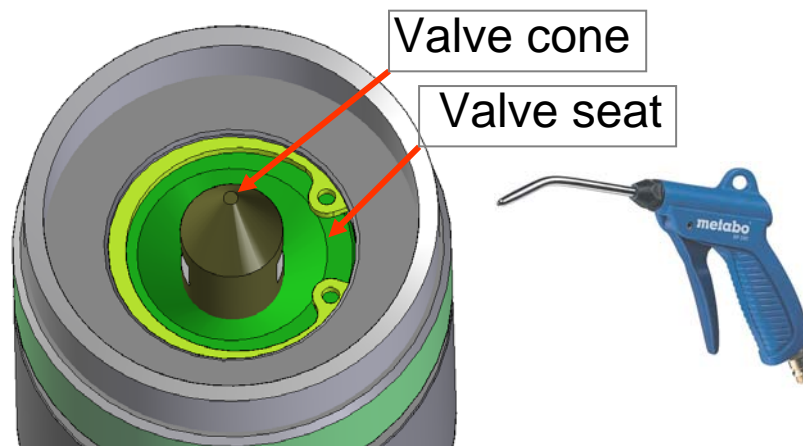


3.) thoroughly cleaning



**please use the air gun to
clean the valve seat!**

Clean the valve seat and valve cone

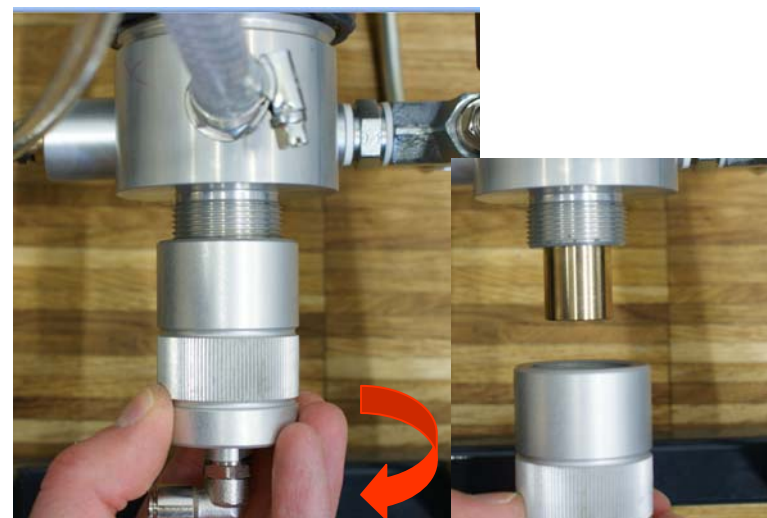
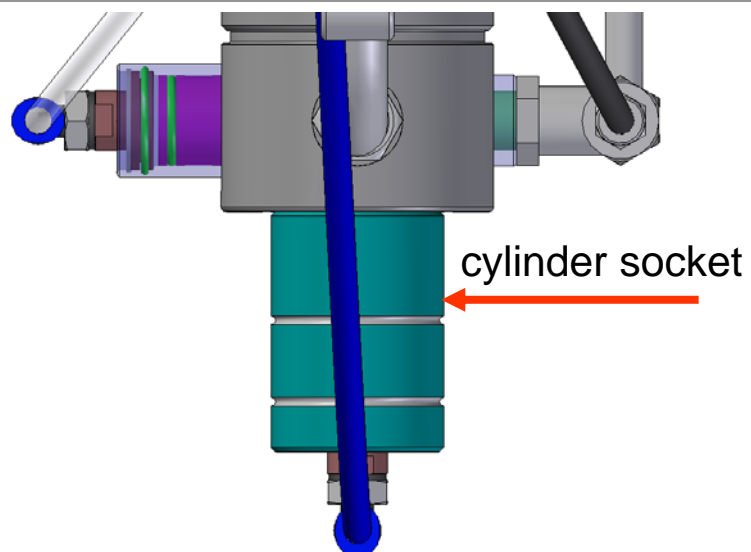


**please use the air gun to
clean the valve seat!**

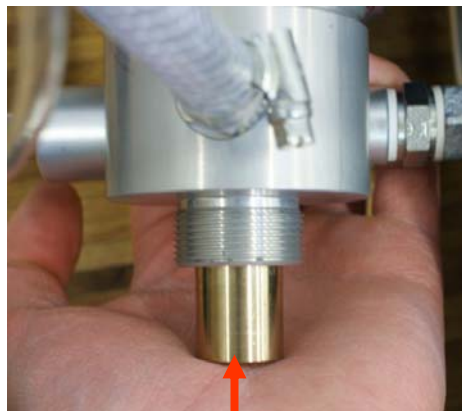


Remove all granulate from the tank and clean the valve seat and the valve cone. (important)!

Disassemble the cylinder socket to check the granulate valve body



Push the brass sleeve



Brass sleeve

Push the spring guide by hand **3-5** times.



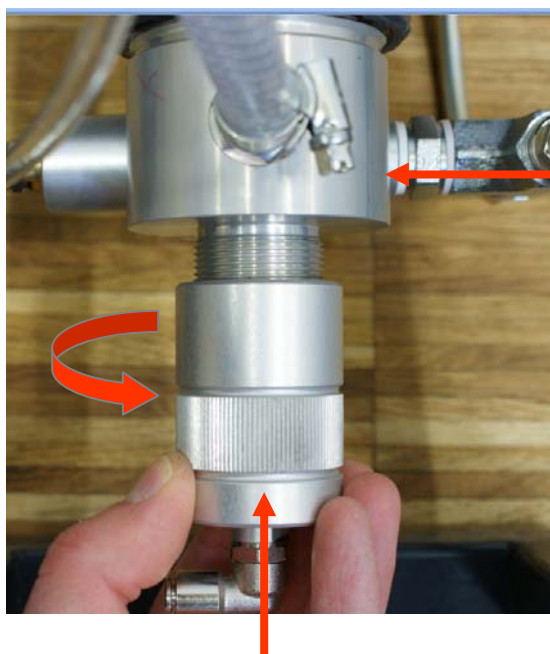
Brass sleeve opens the valve cone from the granulate valve. Make sure the sleeve Returns to its position



At the same time please use the air gun to clean the valve seat from the arrears (pieces of granulates)



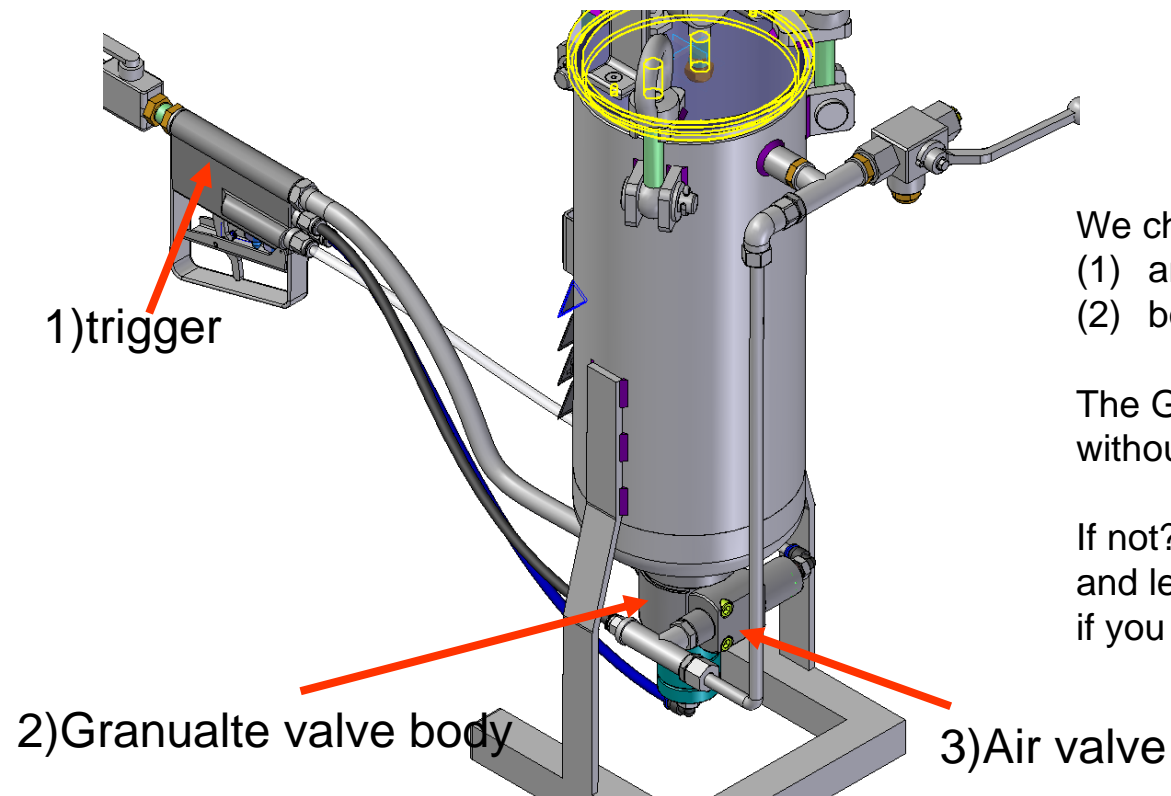
Assembly the cylinder socket



granulate valve body

Tighten the cylinder socket to the granulate valve body.
Then check the function of the g-blaster again.

cylinder socket



We checked the trigger (1) and the granulate valve (2) body. Everything is ok.

The G-Blaster should work without any air leakage.

If not? Please check the 3) air valve and let us know, if you have any problem