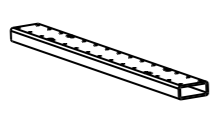


SEVENNE / GRIFFON / RHONE x 1



A x 1
B x 1
C x 4
D x 1



TV400 x 4



MZ080 x 7
MZ140 x 2
MZ141 x 1
MZ142 x 1



MZ200 x 2
MZ260 x 8
MZ601 x 3
MZ602 x 3

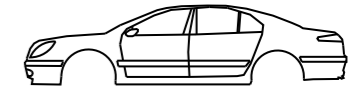
P100 x 4
P160 x 13
P220 x 8
P310 x 2

9123.013 / 9123.023

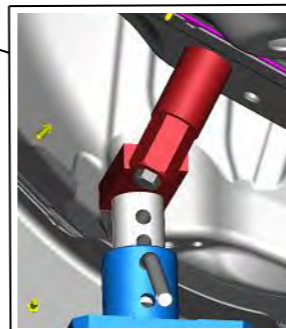
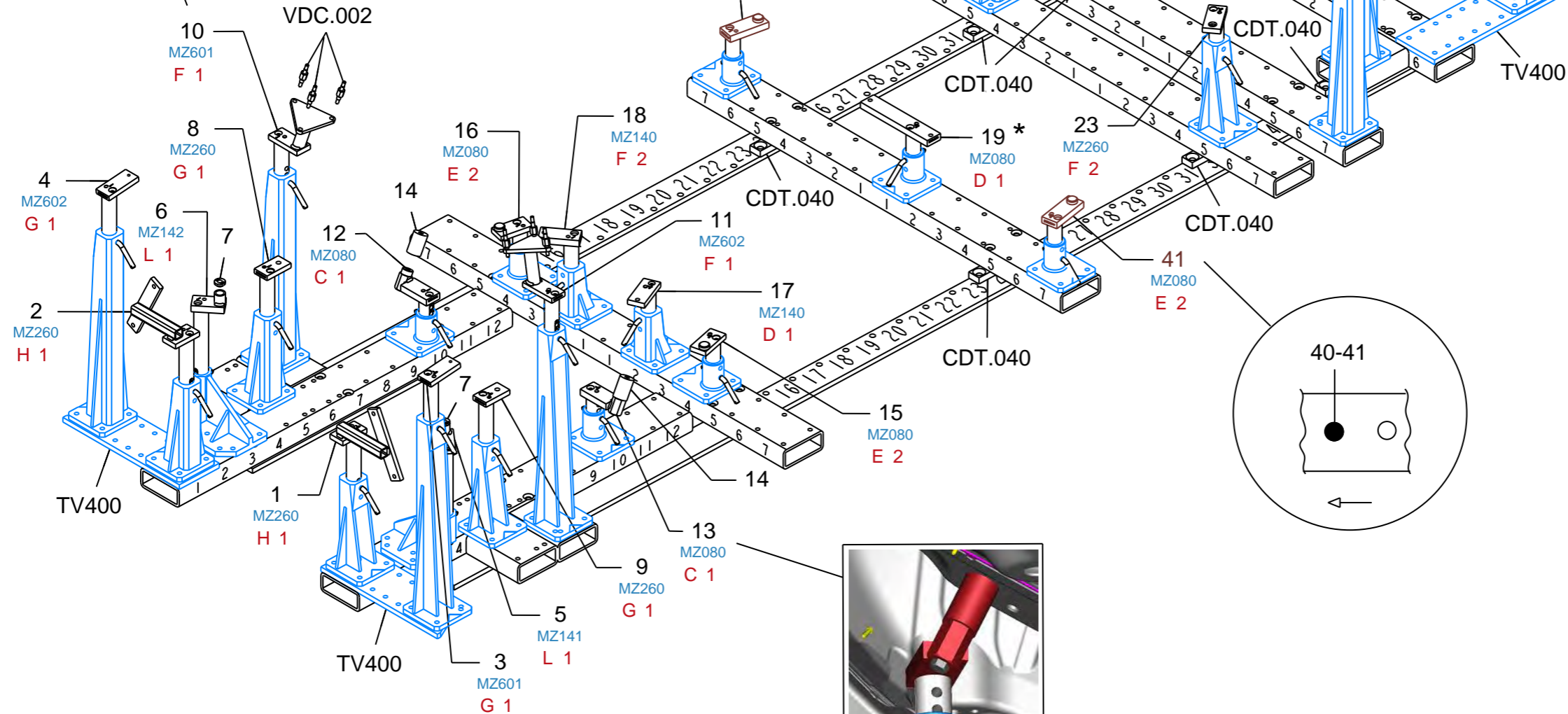
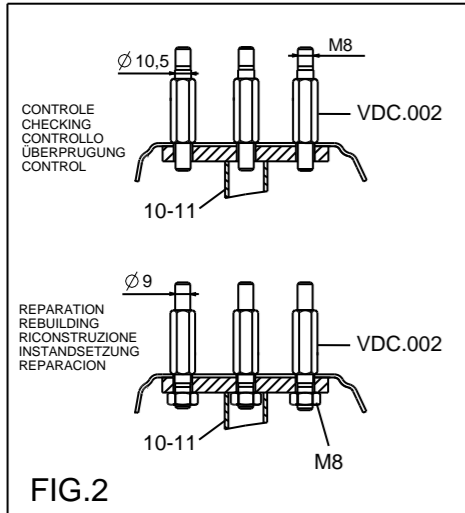


complément au
complementary set to
complemento al
zusatz zu

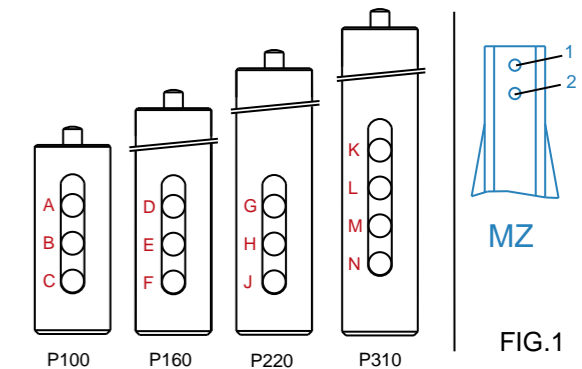
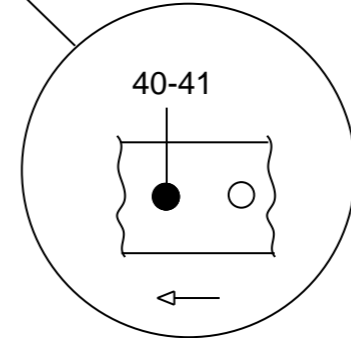
VAS 801 025 + VAS 801 039
(2658.5A) (2658.5A01)

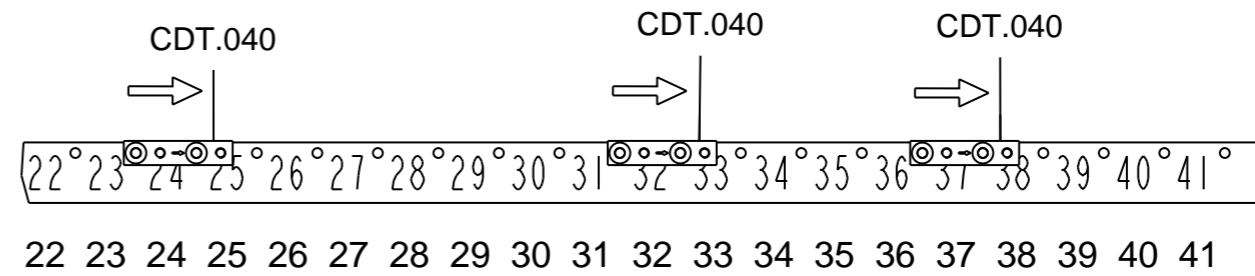
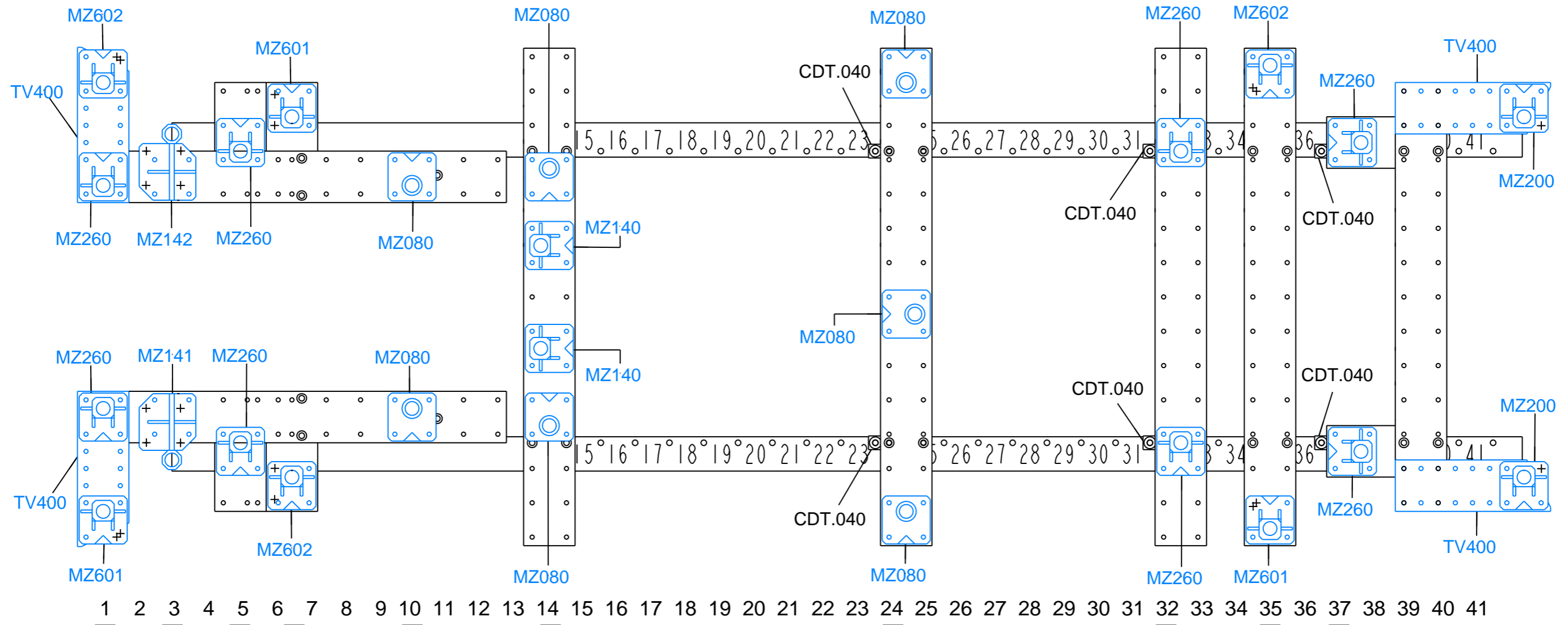
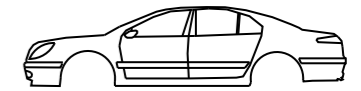


* = QUATTRO



REP	REFERENCE	NB				NB
CDT.040	CDT.040 (2658.5A01)	6	955714			12
			TFHC M16-60			12
1	2658.5001 (2658.5A)	1	M10-30			4
2	2658.5002 (2658.5A)	1				
3	2658.5003 (2658.5A)	1	M6-30			2
4	2658.5004 (2658.5A)	1				
5	2658.5005 (2658.5A)	1	M12x1,50-80			2
6	2658.5006 (2658.5A)	1				
7	2658.5007 (2658.5A)	2				
8	2658.5008 (2658.5A)	1	M12x1,50-40			2
9	2658.5009 (2658.5A)	1				
10	2658.5010 (2658.5A)	1	M8			6
11	2658.5011 (2658.5A)	1				
VDC.002	VDC.002 (2658.5A)	6				
12	2658.5012 (2658.5A)	1	M12x1,50-130			2
13	2658.5013 (2658.5A)	1				
14	2658.5014 (2658.5A)	2				
15	2658.5015 (2658.5A)	1				
16	2658.5016 (2658.5A)	1				
17	2658.5017 (2658.5A)	1	M10-30			1
18	2658.5018 (2658.5A)	1	M10-30			1
19	2658.5019 (2658.5A)	1	M10-30			2
40	2658.5040 (2658.5A03)	1				
41	2658.5041 (2658.5A03)	1				
22	2658.5022 (2658.5A)	1	M14x1,50-50			2
23	2658.5023 (2658.5A)	1				
42	2658.5042 (2658.5A03)	1	M10-30			4
43	2658.5043 (2658.5A03)	1				
27	2658.5027 (2658.5A)	1	M12x1,50-80			2
28	2658.5028 (2658.5A)	1				
29	2658.5029 (2658.5A)	1	M10-30			4
30	2658.5030 (2658.5A)	1				

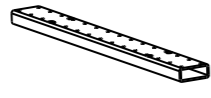




SEVENNE / GRIFFON / RHONE x 1



A x 1
B x 1
C x 3
D x 1



MZ080 x 8
MZ141 x 1
MZ142 x 1



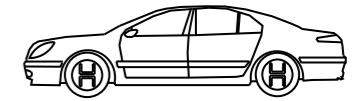
MZ200 x 2
P100 x 4
P160 x 6
P310 x 2

9123.013 / 9123.023



complément au
complementary set to
complemento al
zusatz zu

VAS 801 025 + VAS 801 039
(2658.5A) (2658.5A01)



REP	REFERENCE	NB	①	②	NB
CDT.040	CDT.040 (2658.5A01)	6	955714		12
			TFHC M16-60		12
5	2658.5005 (2658.5A)	1			
6	2658.5006 (2658.5A)	1			
12	2658.5012 (2658.5A)	1	M12x1,50-130		2
13	2658.5013 (2658.5A)	1			
15	2658.5015 (2658.5A)	1			
16	2658.5016 (2658.5A)	1			
40	2658.5040 (2658.5A03)	1			
41	2658.5041 (2658.5A03)	1			
22	2658.5022 (2658.5A)	1	M14x1,50-50		2
23	2658.5023 (2658.5A)	1			
24	2658.5024 (2658.5A)	2			
27	2658.5027 (2658.5A)	1	M12x1,50-170		2
28	2658.5028 (2658.5A)	1			

